





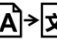


USER MANUAL
HM200P
Portable Height Stadiometer



Please keep the instruction manual at hand all the time for future reference.

Explanation of Text/Symbols on Device Label/Packaging

Text/Symbol	Meaning
	Caution, consult accompanying documents before use
	Separate collection for waste of electrical and electronic equipment, in accordance with Directive 2002/96/EC. Do not dispose of device with everyday waste
	Name and address of device manufacturer, and year/country of manufacture
	Carefully read user manual before installation and usage, and follow instructions for use.
REF	Device catalogue number / model number
EC REP	Name and address of authorized representative in the European Union
MD	Device is a medical device. Text indicates device category type
LOT	Manufacturer's batch or lot number for device
SN	Device's serial number
UDI	Device's Unique Device Identifier
	Device conforms to 93/42/EEC as amended by 2007/47/EC Medical Device Directive. Four digit number is identifier for medical device Notified Body
	Name and address of entity importing device (if applicable)
	Name and address of entity responsible for translating Information For Use (if applicable)

Copyright Notice

Charder Electronic Co., Ltd.

No.103, Guozhong Rd., Dali Dist., Taichung City 41262 Taiwan

Tel: +886-4-2406 3766 Fax: +886-4-2406 5612

Website: www.chardermedical.com E-mail: info_cec@charder.com.tw

Copyright© Charder Electronic Co., Ltd. All rights reserved.

This user manual is protected by international copyright law. All content is licensed, and usage is subject to written authorization from Charder Electronic Co., Ltd. (hereinafter Charder) Charder is not liable for any damage caused by a failure to adhere to requirements stated in this manual. Charder reserves the right to correct misprints in the manual without prior notice, and modify the exterior of the device for quality purposes without customer consent.



Charder Electronic Co., Ltd.
No. 103, Guozhong Rd., Dali Dist.,
Taichung City, 41262 Taiwan

CONTENTS

I. Safety Notes	4
A. General Information	4
II. Installation	6
Unpacking the HM200P.....	6
Assembly Instructions	7
III. Using Device	9
IV. Product Specifications	10
V. Declaration of Conformity	12



I. Safety Notes

A. General Information

Thank you for choosing this Charder Medical device. It is designed to be easy and straightforward to operate, but if you encounter any problems not addressed in this manual, please contact your local Charder service partner.

Before beginning operation of the device, please read this user manual carefully, and keep it in a safe place for reference. It contains important instructions regarding installation, proper usage, and maintenance.

Intended Purpose

This medical device is designed to be used in accordance with national regulations, to measure height within specifications, for height-related usage by professionals.

Clinical Benefit

Measurement results can be used by professionals to diagnose (and monitor) height-related issues.

General Handling

- Device should be placed on stable, flat, solid, non-slippery surface.
- Ensure all parts are properly locked and tightened before operating the device.

Safety Instructions

- The device has an expected service life of 5 years when correctly handled, serviced, and periodically inspected in accordance with manufacturer's instructions.

Cleaning

- Device surface should be cleaned using alcohol-based wipes. Corrosive cleansing liquids should not be used.

Warranty/Liability

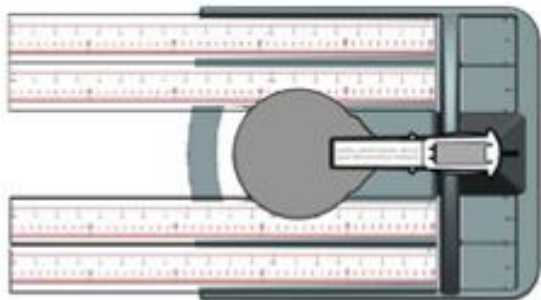
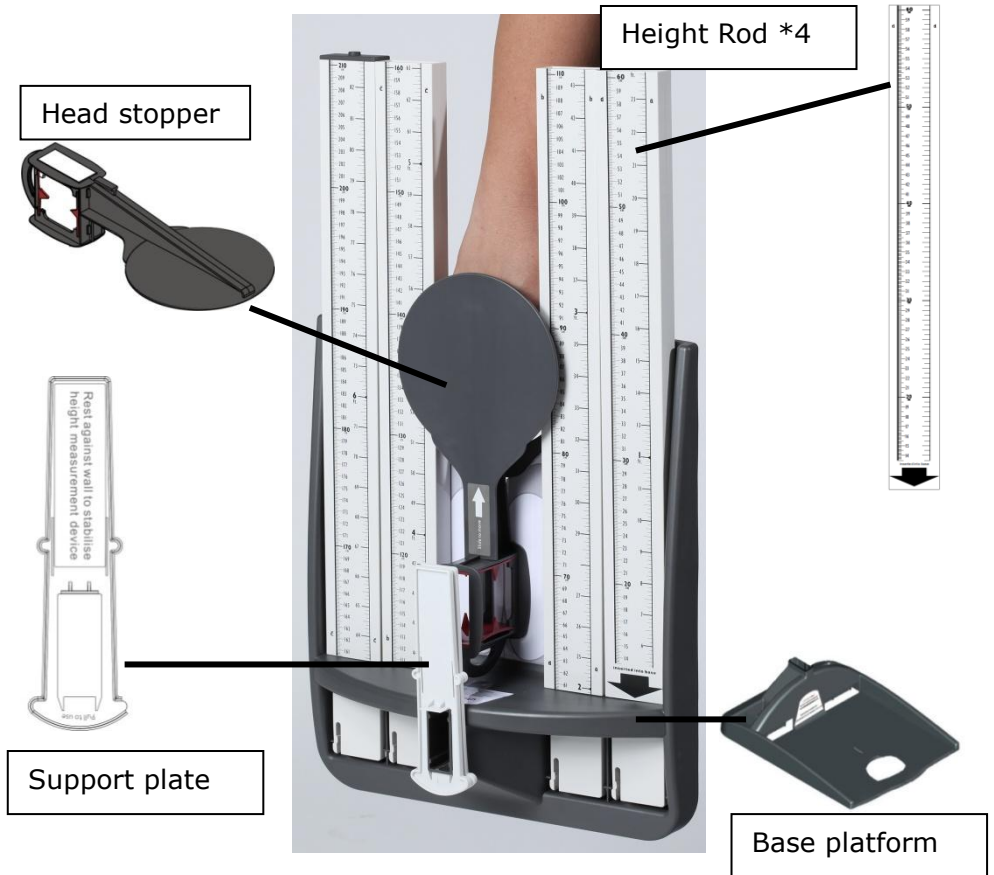
- The period of warranty shall be eighteen (18) months, beginning on the date of purchase. Please retain your receipt as proof of purchase.
- No responsibility shall be accepted for damage caused through any of the following reasons: unsuitable or improper storage or use, incorrect installation or commissioning by the owner or third parties, natural wear and tear, changes or modifications, incorrect or negligent handling.

Incident Reporting

- Any serious incident that has occurred in relation to the device should be reported to the manufacturer, EU representative (if device is used in EU member state), and competent authority of user/subject's member state.

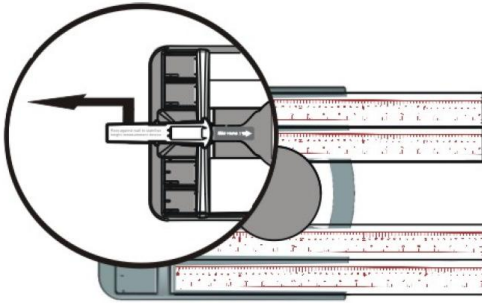
II. Installation

Unpacking the HM200P

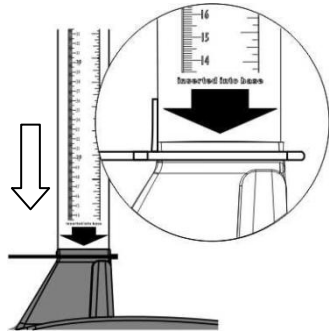


Assembly Instructions

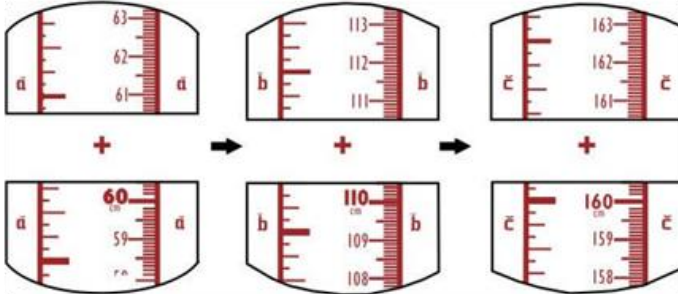
1. Remove support plate



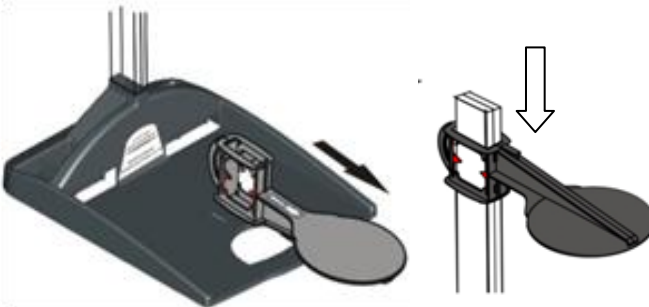
2. Insert Height Rods into base platform in order



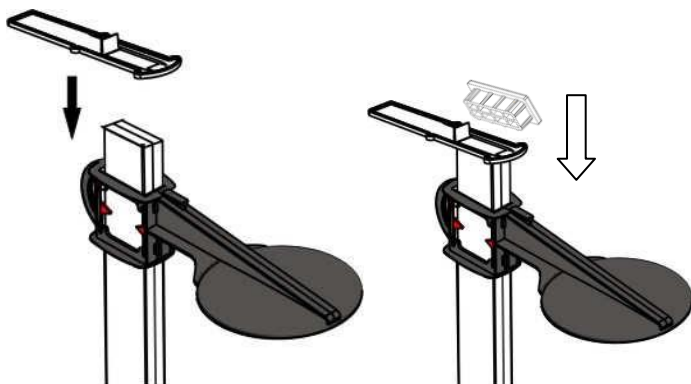
3. Ensure that height rods are inserted in the correct order



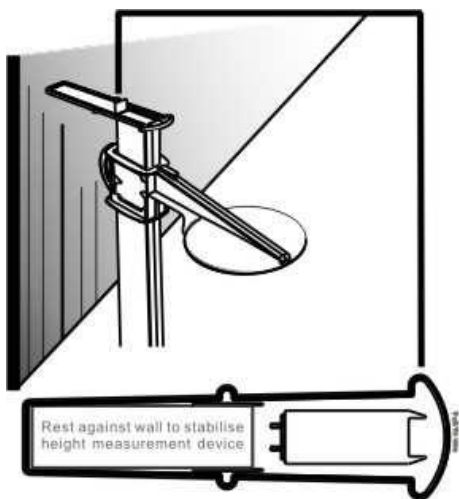
4. Mount head stopper onto height rod



5. Place support plate on top of height rod



6. Place HM200P against the wall for stability.

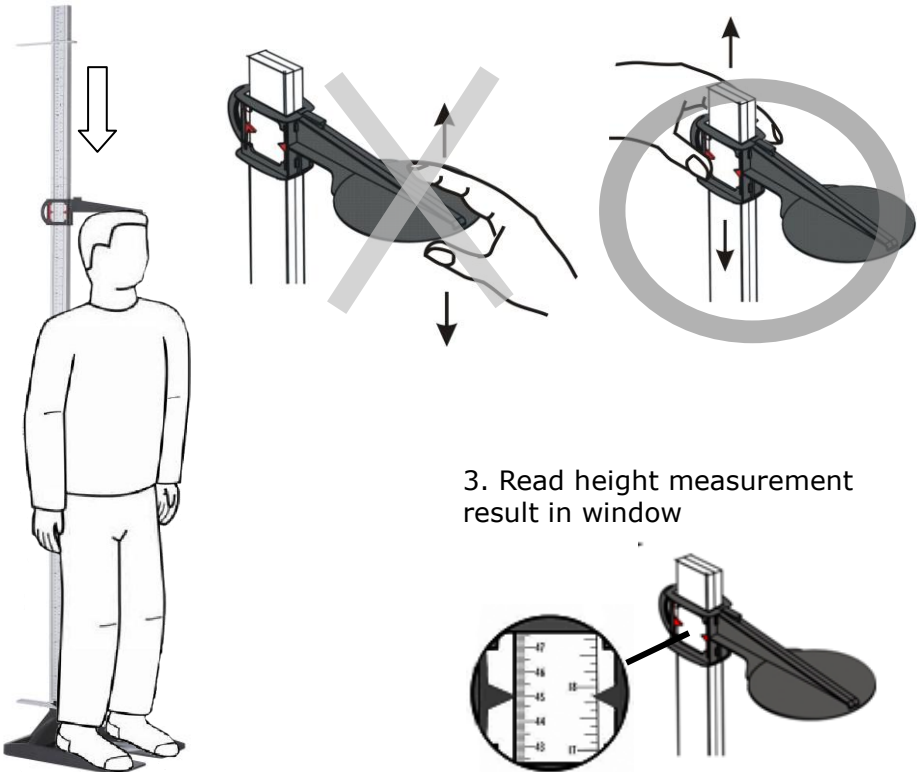


III. Using Device

1. Subject should stand up straight with feet within the foot markings



2. Subject's back should touch the height measurement rod slightly. Lower stopper until it touches top of subject's head



IV. Product Specifications

Model		HM200P
Height Measurement	Range	14-205 cm 5.5-81 in
	Graduation	1 mm 1/16 in
	Accuracy	±10 mm
Dimensions	Overall	350(W) x 400(D) x 2430(H) mm
Device Weight (approximate)		2.0 kg / 4.4 lb (carry case 0.6 kg / 1.3 lb)
Operation Temperature & Humidity		5°C~35°C
Optional Accessories		AR-2481, AR-00001 carrying bag
Standard Accessories		User manual x1

Notes

V. Declaration of Conformity

Manufacturer hereby declares that this product is in conformity with the regulations and standards outlined in the following directives:

 2460	93/42/EEC as amended by 2007/47/EC Medical Device Directive Classification: Class I with measuring function
-------------------------------------------------------------------------------------------	---------------------------------------------------------------------------------------------------------------------------

**RoHS Directive 2011/65/EU and Delegated Directive (EU)
2015/863**

Authorized EU Representative:



Obelis s.a.

Bd Général Wahis, 53
B-1030 Brussels
Belgium



Manufactured by:

Charder Electronic Co., Ltd.
No.103, Guozhong Rd., Dali Dist.,
Taichung City, 41262 Taiwan (R.O.C.)

CD-IN-1046 8039P 2022/06