



MANUAL RESUSCITATOR



ANESTHETIC
SERIES

MANUAL RESUSCITATOR

Fortune® Manual Resuscitator Features:

- Equipped with pressure relief valve at 40 cmH₂O with overridden mechanism.
- 3 sizes are available: infant, child and adult.
- ISO standard connectors.

A Silicone Resuscitator

B PVC Resuscitator



Model	Infant	Child	Adult	Description
Silicone Resuscitator	SR-Infant	SR-Child	SR-Adult	Disposable
PVC Resuscitator	PR-Infant	PR-Child	PR-Adult	Disposable

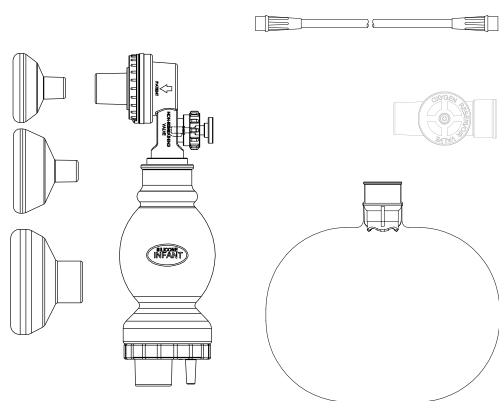
SPECIFICATIONS

SR-Infant:

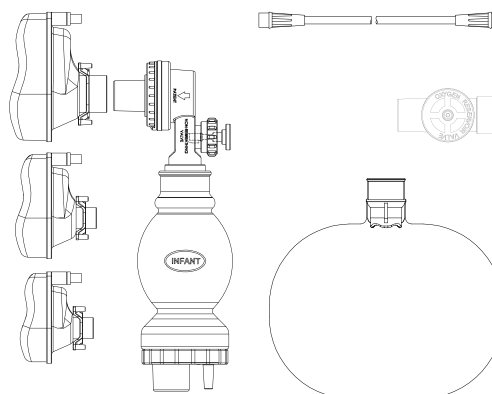
REF. No.	Size	Description
1610-0001	Infant	- Silicone mask #0/ #1/ #2 - Patient valve w/ pressure relief valve - Silicone bag 240 ml - Reservoir valve - Oxygen reservoir 600 ml - Oxygen Tubing 7 feet

PR-Infant:

REF. No.	Size	Description
1690-0001	Infant	- PVC Air-Cush mask #0/ #1/ #2 - Patient valve w/ pressure relief valve - PVC bag 240 ml - Reservoir valve - Oxygen reservoir 600 ml - Oxygen Tubing 7 feet



1610-0001

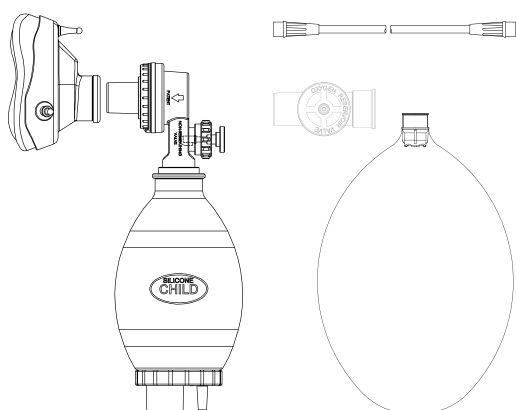


1690-0001

MANUAL RESUSCITATOR

SR-Child:

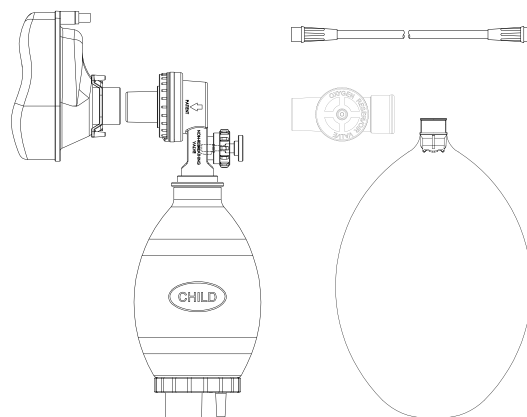
REF. No.	Size	Description
1610-0002	Child	- Silicone mask #3
		- Patient valve w/ pressure relief valve
		- Silicone bag 500 ml
		- Reservoir valve
		- Oxygen reservoir 2600 ml
		- Oxygen Tubing 7 feet



1610-0002

PR-Child:

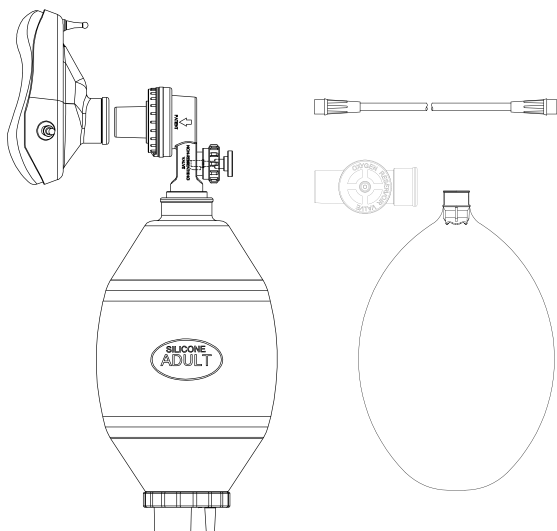
REF. No.	Size	Description
1690-0002	Child	- PVC Air-Cush mask #3
		- Patient valve w/ pressure relief valve
		- PVC bag 500 ml
		- Reservoir valve
		- Oxygen reservoir 2600 ml
		- Oxygen Tubing 7 feet



1690-0002

SR-Adult:

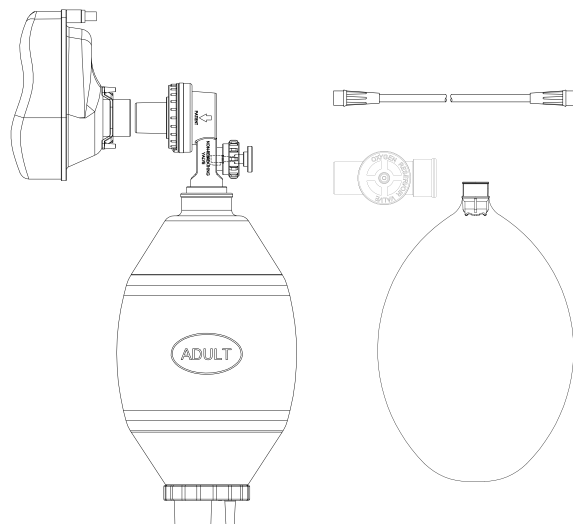
REF. No.	Size	Description
1610-0003	Adult	- Silicone mask #5
		- Patient valve w/ pressure relief valve
		- Silicone bag 1600 ml
		- Reservoir valve
		- Oxygen reservoir 2600 ml
		- Oxygen Tubing 7 feet



1610-0003

PR-Adult:

REF. No.	Size	Description
1690-0003	Adult	- PVC Air-Cush mask #5
		- Patient valve w/ pressure relief valve
		- PVC bag 1600 ml
		- Reservoir valve
		- Oxygen reservoir 2600 ml
		- Oxygen Tubing 7 feet



1690-0003

MANUAL RESUSCITATOR

Silicone Mask:

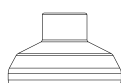
REF. No.	Size	Application	Description
1611-9000	# 0		
1611-9001	# 1	Infant	
1611-9002	# 2		Silicone
1611-9003	# 3	Child	
1611-9004	# 4	Adult	
1611-9005	# 5		



1611-9000



1611-9001



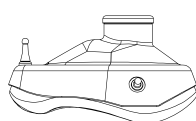
1611-9002



1611-9003



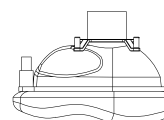
1611-9004



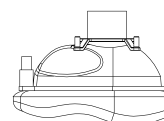
1611-9005

PVC Air-Cush Mask:

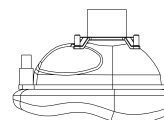
REF. No.	Size	Application	Description
1691-9000	# 0		
1691-9001	# 1	Infant	
1691-9002	# 2		- PVC - Air cushioned - Check valve
1691-9003	# 3	Child	
1691-9004	# 4	Adult	
1691-9005	# 5		



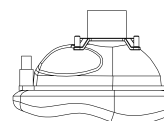
1691-9000



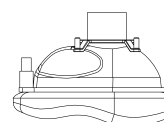
1691-9001



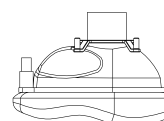
1691-9002



1691-9003



1691-9004



1691-9005

MANUAL RESUSCITATOR

Fortune® Airway Features:

- Proper rigidity to prevent deformation upon patient bite.
- Elastic plastic material to protect patient teeth.
- 2 models are available: Berman and Guedel.

A Berman Airway

B Guedel Airway



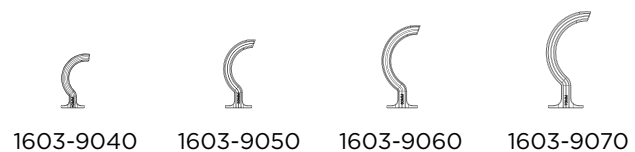
SPECIFICATIONS

Berman Airway:

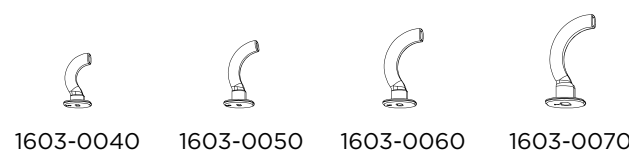
REF. No.	Size	Application
1603-9040	40 mm	Infant
1603-9050	50 mm	
1603-9060	60 mm	Child
1603-9070	70 mm	
1603-9080	80 mm	
1603-9090	90 mm	Adult
1603-9100	100 mm	
1603-9110	110 mm	

Guedel Airway:

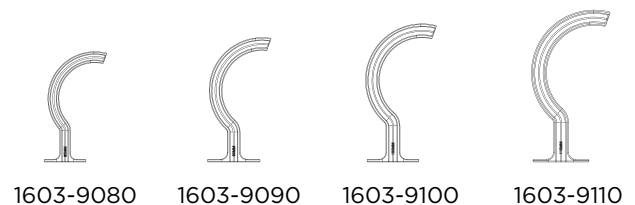
REF. No.	Size	Application
1603-0040	40 mm	Infant
1603-0050	50 mm	
1603-0060	60 mm	Child
1603-0070	70 mm	
1603-0080	80 mm	
1603-0090	90 mm	Adult
1603-0100	100 mm	
1603-0110	110 mm	



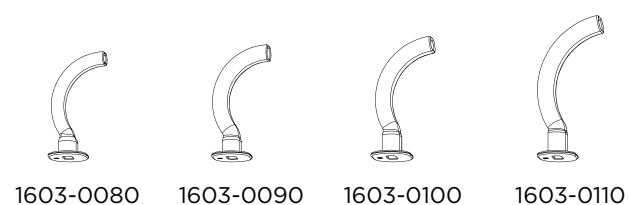
1603-9040 1603-9050 1603-9060 1603-9070



1603-0040 1603-0050 1603-0060 1603-0070



1603-9080 1603-9090 1603-9100 1603-9110



1603-0080 1603-0090 1603-0100 1603-0110

MANUAL RESUSCITATOR

Fortune® Silicone Harness:

The Silicone Harness is designed for fixing anesthesia and CPAP masks.

FEATURES

Medical grade silicone for superior biocompatibility.

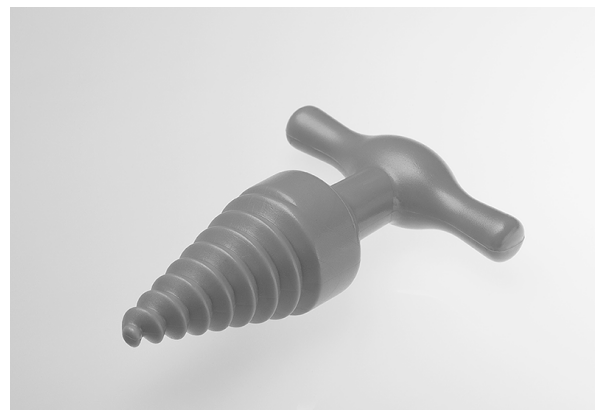
Soft silicone material for better comfort and less irritation.

Poke-and-Hook attachment is designed for quick and easy attachment and masks removal.

Disposable.

Available in three sizes.

- A** Patient Valve
- B** Reservoir Valve
- C** Oxygen Reservoir
- D** Oxygen Tubing
- E** PEEP Valve Diverter
- F** PEEP Valve
- G** Teeth Opener
- H** Silicone Harness

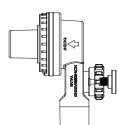


MANUAL RESUSCITATOR

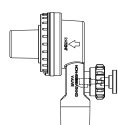
SPECIFICATIONS

Patient Valve:

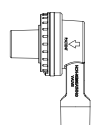
REF. No.	Size	Description
1601-9001		Pressure relief valve @ 40 cmH ₂ O
1601-9002	22 mm O.D.	Pressure relief valve @ 40 cmH ₂ O w/ overridden lock
1601-9003		W/o pressure relief valve



1601-9001



1601-9002



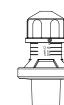
1601-9003

PEEP Valve:

REF. No.	Size	Description
1606-9010	10 cmH ₂ O	PC Adjustable
1606-9020	20 cmH ₂ O	



1606-9010



1606-9020

PEEP Valve Diverter:

REF. No.	Size	Description
1605-9001	22/30 mm	PC



1605-9001

Reservoir Valve:

REF. No.	Size	Description
1602-9001	22/25 mm	- 22/25 mm to oxygen reservoir - 22 mm I.D. to intake valve



1602-9001

Oxygen Tubing:

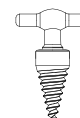
REF. No.	Size	Description
1604-9007	7 feet.	PVC



1604-9007

Teeth Opener:

REF. No.	Size	Description
1607-9001	Universal	PC

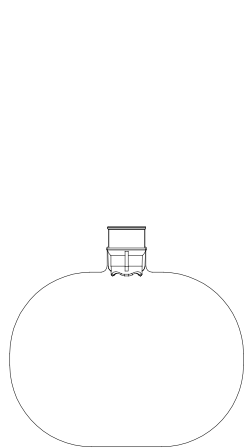


1607-9001

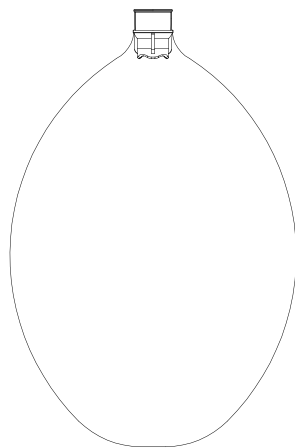
MANUAL RESUSCITATOR

Oxygen Reservoir:

REF. No.	Size	Description
1602-9060	600 ml	Infant
1602-9260	2600 ml	Child & Adult



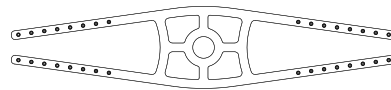
1602-9060



1602-9260

Silicone Harness:

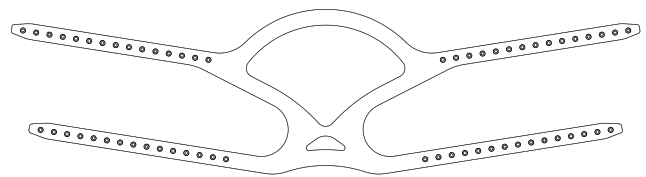
Cat. No.	Size	Description
1699-0001	Infant	
1699-0002	Adult Middle	Semi transparent
1699-0003	Adult Large	



1699-0001



1699-0002



1699-0003



fortune
medical

6 F., No. 29, Sec. 2, Jhongjheng E. Rd.,
Danshuei Dist, New Taipei City. 251 Taiwan
Tel.:(886) 2-2624-2233 Fax.:(886) 2-2624-2266
www.fortunemed.com Mail:info@fortunemed.com

